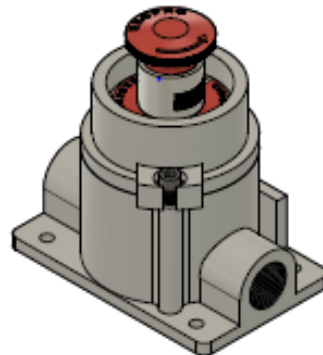
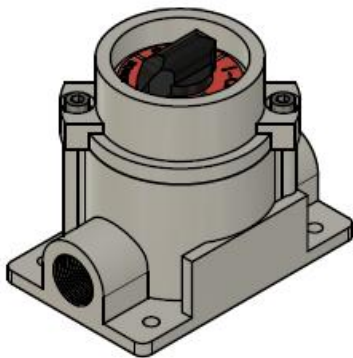
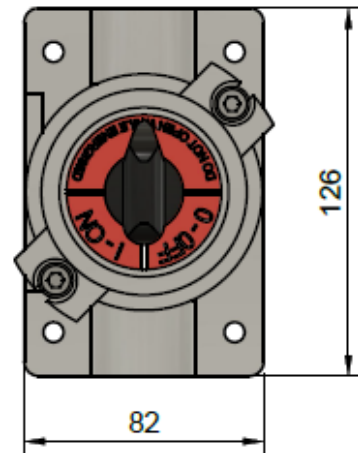
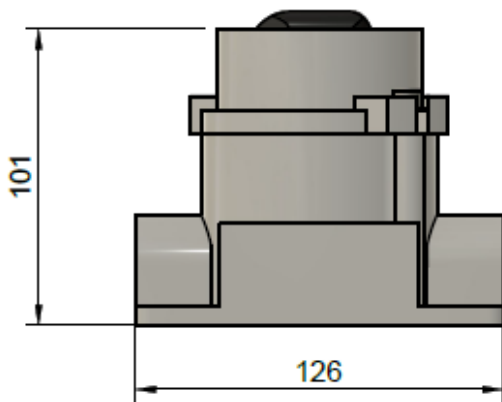


EFS SERIES EX-PROOF SWITCH AND SINGLE BUTTON BOXES

ATEX CERTIFICATE: INSEMEX-OEC.ATEX.21.0326X

CE  II 2 G Ex d II C T6 Gb

CE  II 2 D Ex tb III C T80°C Db



APPLICATIONS

EFS SERIES ex-proof switch and buttons are suitable for Zone-1, Zone-21, Zone-2 and Zone-22 ex-proof applications. In accordance with the demand;

It can be used as 0-1 switch, emergency stop buttons, signal button, potentiometer 0-1-2 switch, 1-0-2 switch.

TECHNICAL SPECIFICATIONS

220 V, 50 Hz with energy input
2x3/4" with hole

MATERIAL

Body; aluminum casting (ETIAL 171)
Colour: RAL 7040(grey)

MACHANICAL PROTECTION TYPE

IP 66